

Do not use with water that is microbiologically unsafe or of unknown quality without adequate disinfection before or after the system.



Manufacturer:

**Aquasana, Inc.**

6310 Midway Road  
Haltom City, Texas 76117, USA



System tested and certified by NSF International against NSF/ANSI Standard 42, 53, 401 and P 473 for the reduction of the claims specified on the Performance Data Sheet and at [www.nsf.org](http://www.nsf.org).

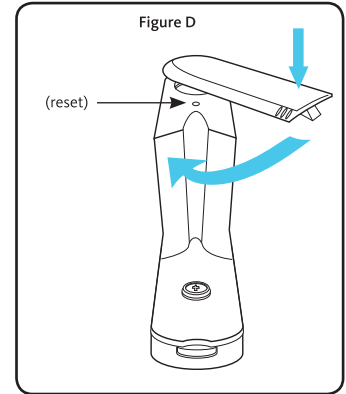
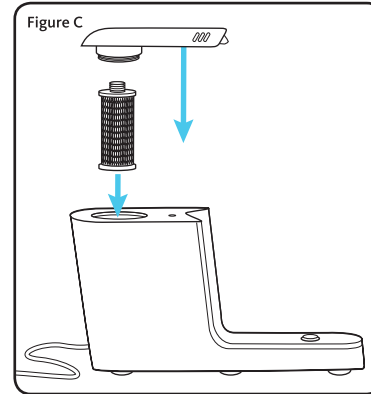
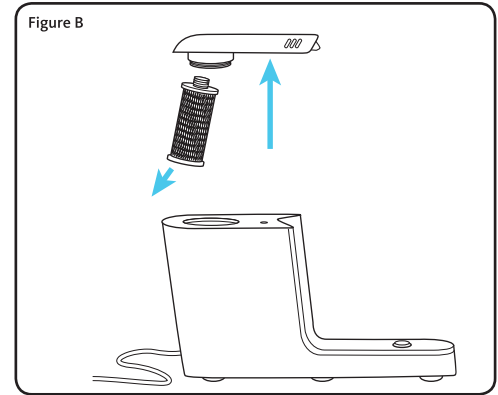
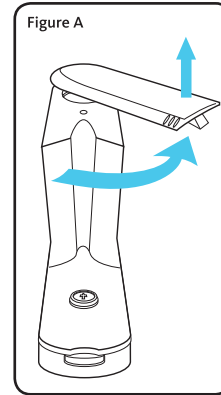
Sole Distributor in China: Computime China Distribution (Hong Kong) Limited  
China Distribution Centre: Computime Trading (Shenzhen) Co., Ltd  
Room 501-G, 5<sup>th</sup> Floor, Block B, Jiuzhou Electric Building,  
Number 7 Science and Technology South 12<sup>th</sup> Road,  
Nanshan District, Shenzhen, Guangdong, China  
Customer Service Hotline: 400 008 2132  
Email: [CS-CBD@computime.com](mailto:CS-CBD@computime.com)

*Powered Water Filtration System*

## Replacement Cartridge Instructions

for use with AQ-PWFS-RB1, AQ-PWFS-RB2, AQ-PWFS-RB1W, AQ-PWFS-P-W,  
AQ-PWFS-P-B, AQ-PWFS-D-W, AQ-PWFS-D-B

1. Remove pitcher or dispenser from filtration dock.
2. With filtration dock facing forward, open top cover by rotating it a quarter-turn, counterclockwise, until the top cover lifts off the filtration dock. (figure A)
3. Remove used cartridge from top cover by pulling down on the cartridge or by removing it from the sump. (figure B)
4. Drop the new filter cartridge into the opening on the dock with the o-rings facing up. (figure C)
5. After dropping the cartridge into the dock opening you must push the reset button located on the top of the dock; this will reset the lights on the system. (figure D)
6. Next place the top cover on the dock, pressing firmly, rotate the top cover a quarter-turn clockwise until fully locked in. Ensure both tabs of the top cover are aligned with the dock. (figure D)
7. Once the cartridge has been replaced and the top cover is fully locked into filtration dock, place pitcher or dispenser back onto filtration dock.
8. Cartridge will need to be flushed 1 cycle to remove carbon fines. (1 pitcher or 1 dispenser)



• Rated capacity: 1,200 Liters